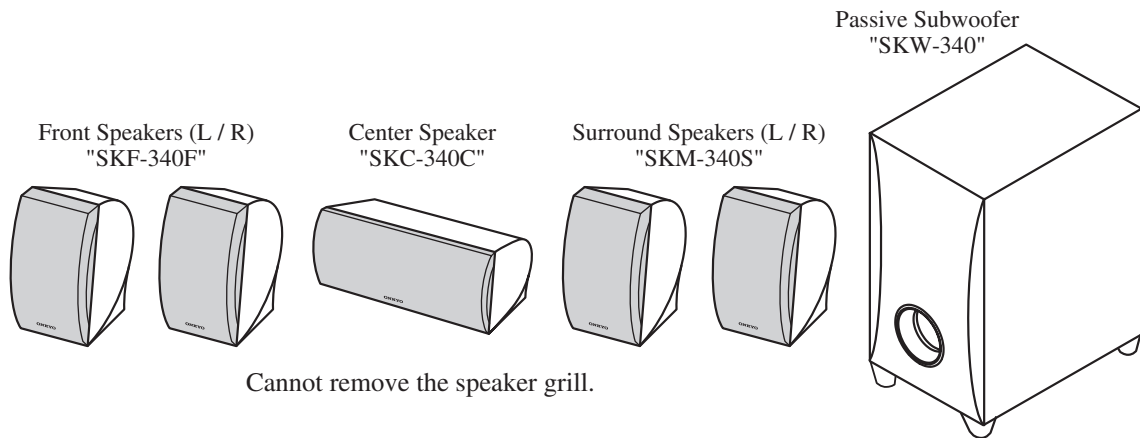


# ONKYO SERVICE MANUAL

## 5.1-CH HOME THEATER SPEAKER PACKAGE MODEL HTP-340(S)



### Silver model

S MD	S : Color	MD : USA model
S MC	S : Color	MC : Canadian model
S MP	S : Color	MP : European model
S MT	S : Color	MT : Asian model
S MA	S : Color	MA : Australian model
S MK	S : Color	MK : Korean model

## SPECIFICATIONS

### ■ Passive Subwoofer (SKW-340)

Type :	Bass-reflex type Passive Subwoofer
Impedance :	6 ohm
Maximum input power :	125 W
Output sound pressure level :	85 dB/m/w
Frequency response :	30 Hz - 150 Hz
Cabinet capacity :	1.1 cubic feet (31 L)
Dimensions (W x H x D) :	9-1/4" x 18-1/8" x 16-1/8" (235 x 461 x 410 mm)
Weight :	17.9 lbs. (8.1 kg)
Drivers unit :	8" (20 cm) Cone
Terminal :	Spring type color coded

### ■ Center Speaker (SKC-340C)

Type :	2 Way Bass-reflex
Impedance :	6 ohm
Maximum input power :	120 W
Output sound pressure level :	87 dB/W/m
Frequency response :	80 Hz - 22 kHz
Crossover frequency :	10 kHz
Cabinet capacity :	0.092 cubic feet (2.6 L)
Dimensions (W x H x D) :	11-13/16" x 5-1/16" x 4-5/8" (300 x 128 x 118 mm)
Weight :	3.3 lbs. (1.5 kg)
Drivers unit :	3-1/8" (8 cm) Cone (Woofer) x 2 3/4" (2 cm) Ceramic (Tweeter)
Terminal :	Spring type color coded
Key hole slot :	2
Threaded insert :	North American model : 1/4" screw, Depth 5/16" Other models : 5 mm screw, Depth 8 mm
Grille :	Fixed
Other :	Magnetic shielding

### ■ Front Speaker (SKF-340F)

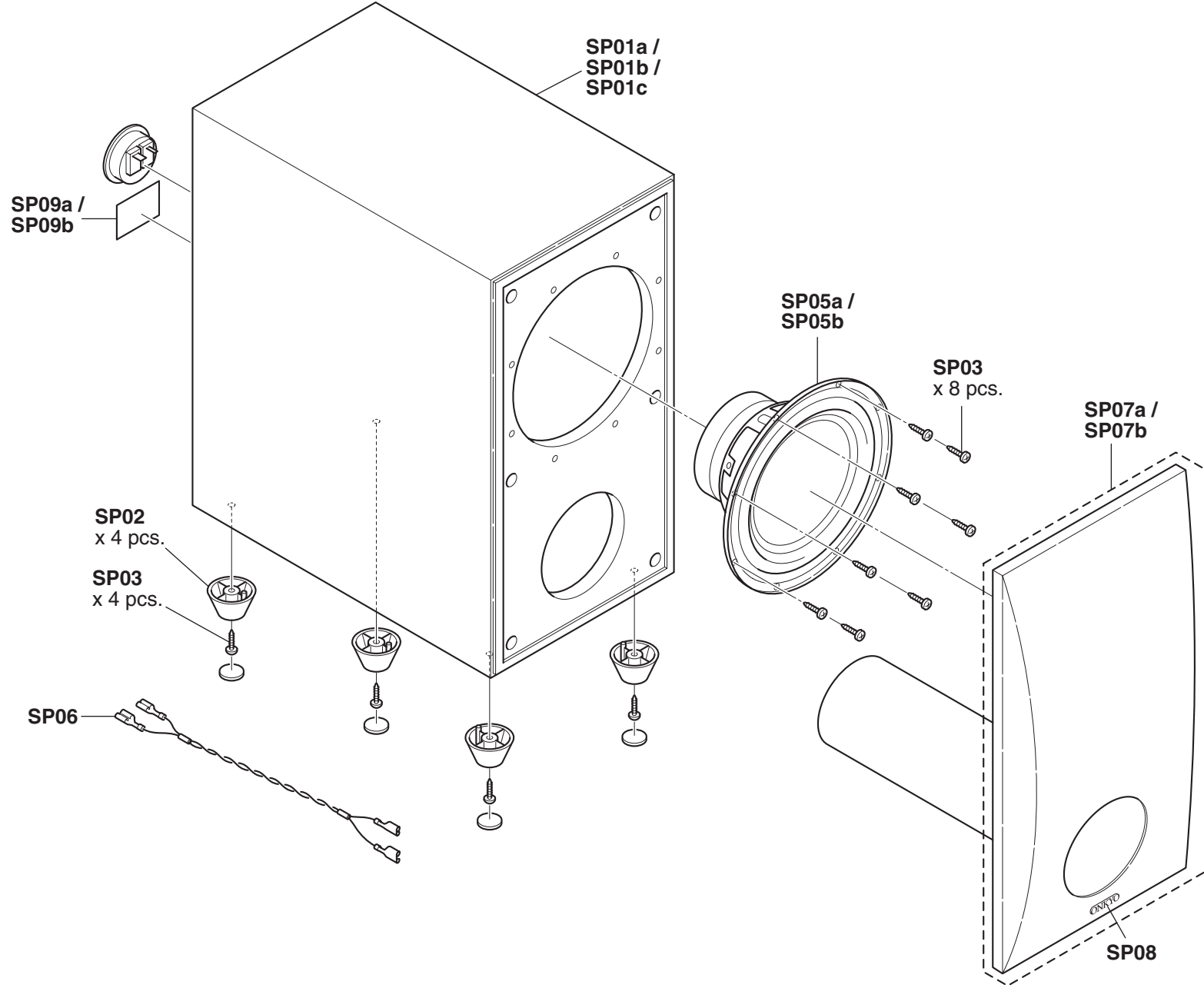
Type :	2 Way Bass-reflex
Impedance :	6 ohm
Maximum input power :	120 W
Output sound pressure level :	84 dB/W/m
Frequency response :	80 Hz - 22 kHz
Crossover frequency :	10 kHz
Cabinet capacity :	0.046 cubic feet (1.3 L)
Dimensions (W x H x D) :	4-9/16" x 8-9/16" x 5" (116 x 218 x 127 mm)
Weight :	2.0 lbs. (0.9 kg)
Drivers unit :	3-1/8" (8 cm) Cone (Woofer) 3/4" (2 cm) Ceramic (Tweeter)
Terminal :	Spring type color coded
Key hole slot :	1
Threaded insert :	North American model : 1/4" screw, Depth 5/16" Other models : 5 mm screw, Depth 8 mm
Grille :	Fixed
Other :	Magnetic shielding

### ■ Surround Speaker (SKM-340S)

Type :	2 Way Bass-reflex
Impedance :	6 ohm
Maximum input power :	120 W
Output sound pressure level :	83 dB/W/m
Frequency response :	80 Hz - 22 kHz
Crossover frequency :	10 kHz
Cabinet capacity :	0.046 cubic feet (1.3 L)
Dimensions (W x H x D) :	4-9/16" x 8-9/16" x 5" (116 x 218 x 127 mm)
Weight :	1.5 lbs. (0.7 kg)
Drivers unit :	3-1/8" (8 cm) Cone (Woofer) 3/4" (2 cm) Ceramic (Tweeter)
Terminal :	Spring type color coded
Key hole slot :	1
Threaded insert :	North American model : 1/4" screw, Depth 5/16" Other models : 5 mm screw, Depth 8 mm
Grille :	Fixed

Specifications and appearance are subject to change without prior notice.

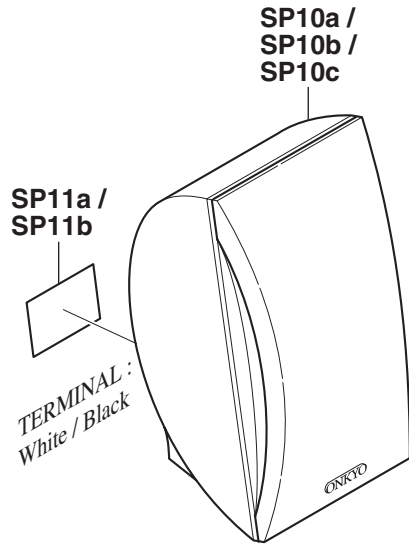
**EXPLODED VIEWS-1**  
**SKW-340 : PASSIVE SUBWOOFER**



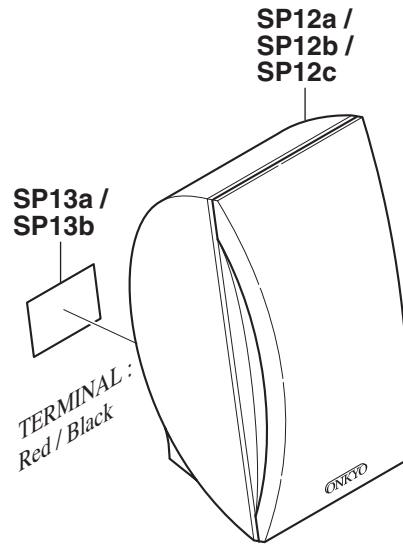
**EXPLODED VIEWS-2**

**SKF-340F / SKC-340C / SKM-340S**

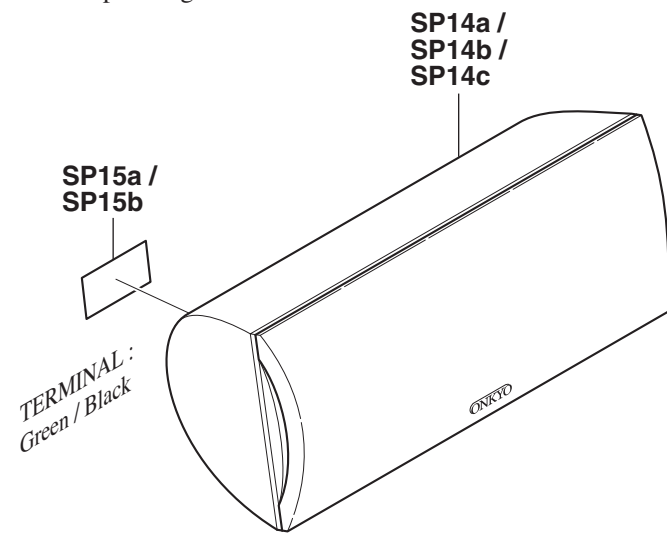
<Note>  
Cannot remove the speaker grill.



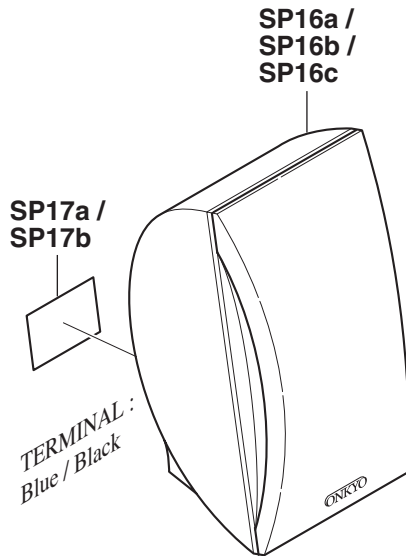
"SKF-340F (L)"



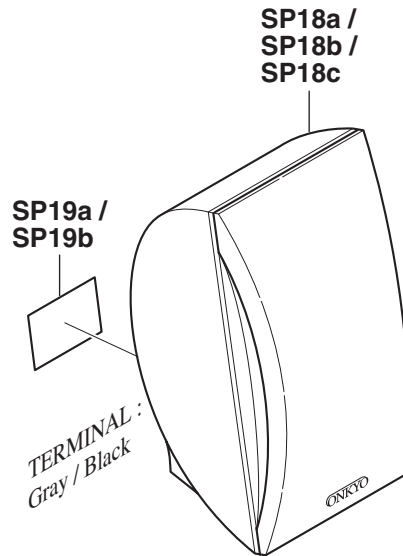
"SKF-340F (R)"



"SKC-340C"



"SKM-340S (L)"  
NOT MAGNETICALLY SHIELDED

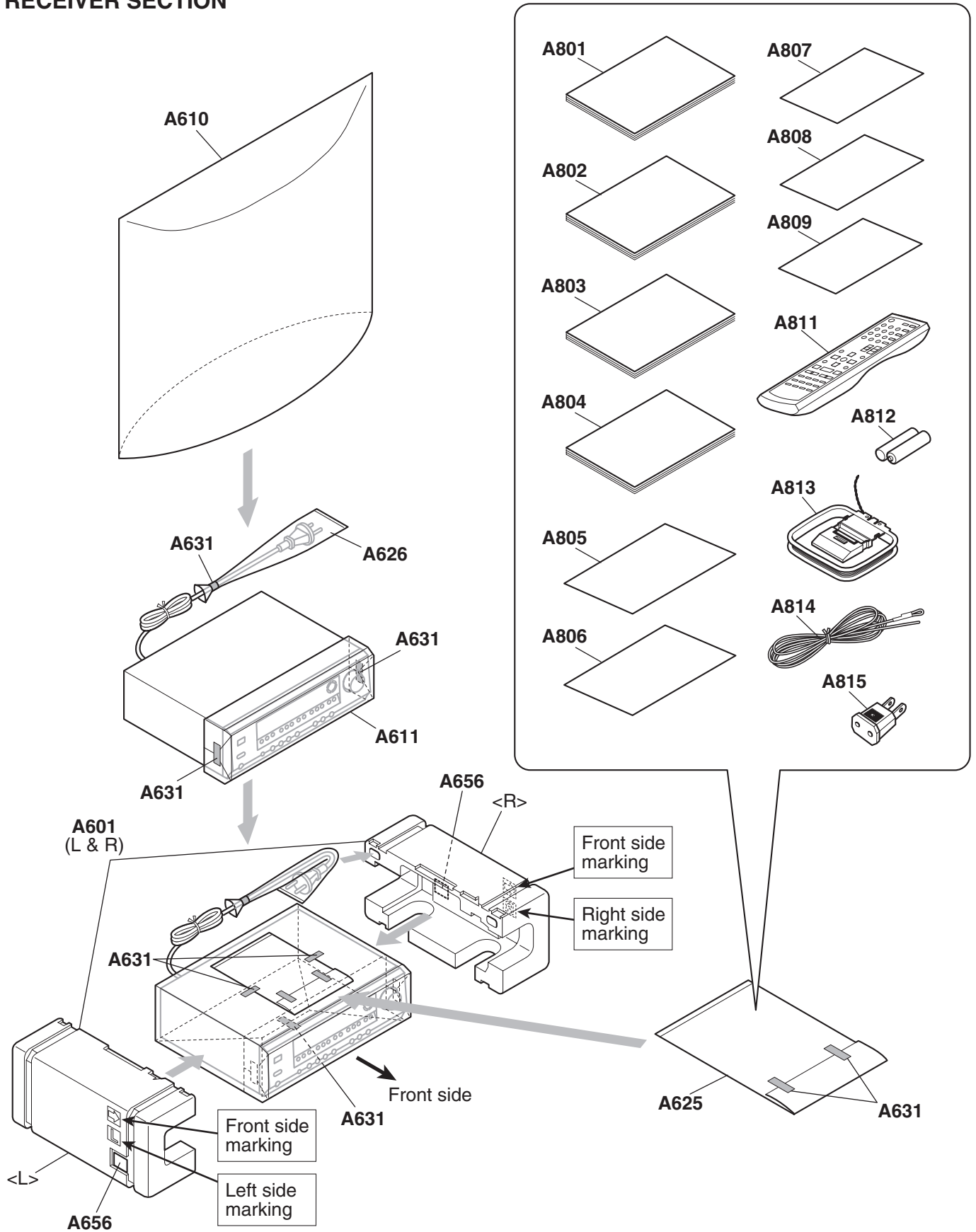


"SKM-340S (R)"  
NOT MAGNETICALLY SHIELDED

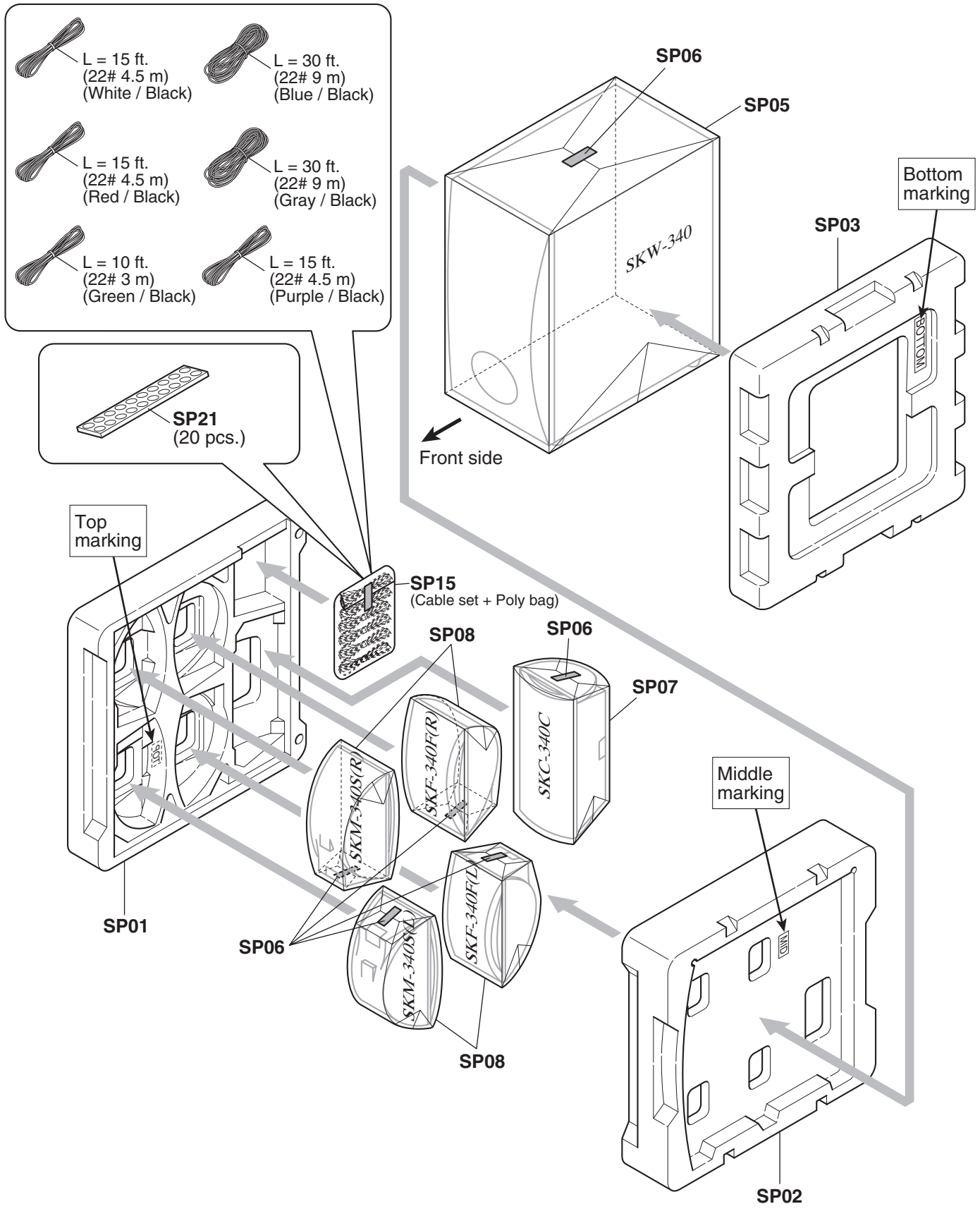
<Notes>  
USA and Canadian models : inch nut.  
Other models : mm nut.

# PACKING PROCEDURE-1

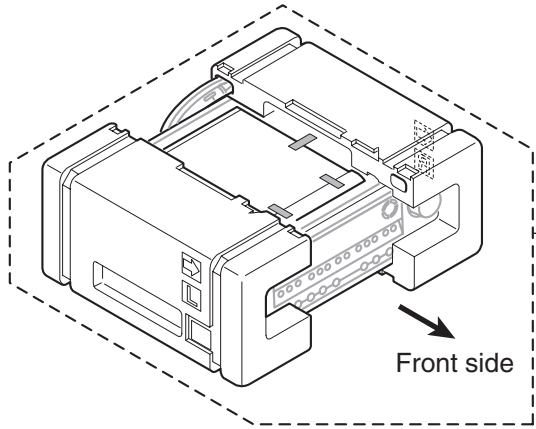
## RECEIVER SECTION



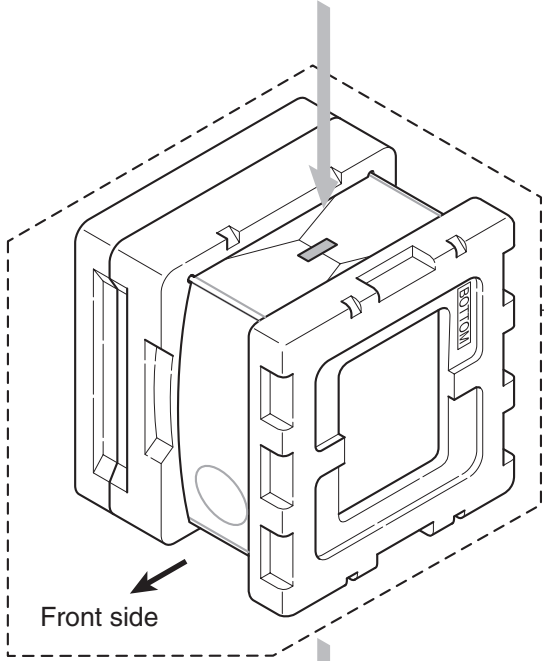
# PACKING PROCEDURE-2 SPEAKER SECTION



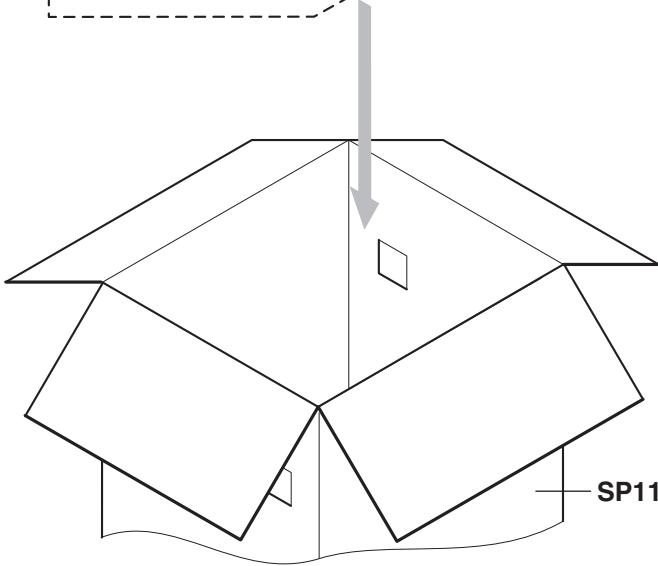
# PACKING PROCEDURE-3 OVERALL



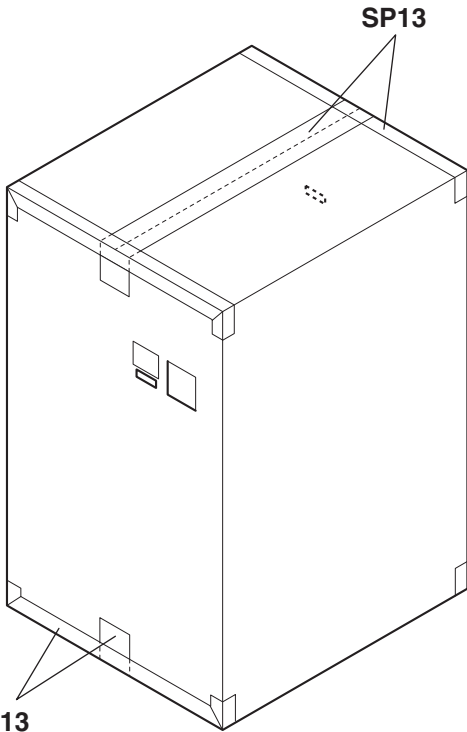
Refer to "PACKING PROCEDURE-1"



Refer to "PACKING PROCEDURE-2"



SP11a - SP11g



SP13

**ONKYO CORPORATION**

Sales & Product Planning Div. : 2-1, Nisshin-cho, Neyagawa-shi, OSAKA 572-8540, JAPAN  
Tel: 072-831-8023 Fax: 072-831-8124

**ONKYO U.S.A. CORPORATION**

18 Park Way, Upper Saddle River, N.J. 07458, U.S.A.  
Tel: 201-785-2600 Fax: 201-785-2650 <http://www.us.onkyo.com/>

**ONKYO EUROPE ELECTRONICS GmbH**

Liegnitzerstrasse 6, 82194 Groebenzell, GERMANY  
Tel: +49-8142-4401-0 Fax: +49-8142-4401-555 <http://www.eu.onkyo.com/>

**ONKYO EUROPE UK Office**

Suite 1, Gregories Court, Gregories Road, Beaconsfield, Buckinghamshire, HP9 1HQ  
UNITED KINGDOM Tel: +44-(0)1494-681515 Fax: +44(0)-1494-680452

**ONKYO CHINA LIMITED**

Units 2102-2107, Metroplaza Tower I, 223 Hing Fong Road, Kwai Chung,  
N.T., HONG KONG Tel: 852-2429-3118 Fax: 852-2428-9039  
<http://www.ch.onkyo.com/>

